



User Manual

Contents



BICYCLE CHAIN CLEANING SET



- General informations.....5**
- Scope of delivery/parts5**
- Technical specifications5**
- Safety7**
 - Intended use..... 7
- Start-up..... 9**
 - Use with ebikes/pedelecs 10
 - Use 10
 - After cleaning the chain..... 11
- Cleaning and care instructions..... 13**
- Disposal..... 13**

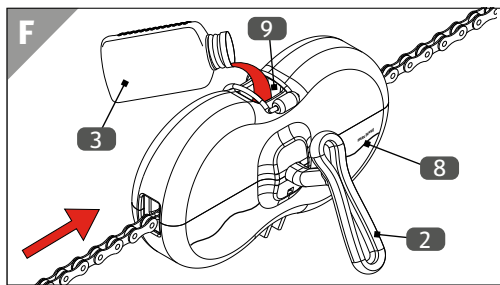
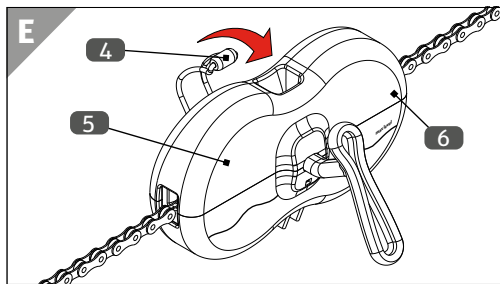
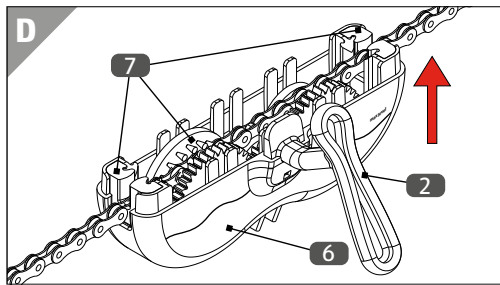
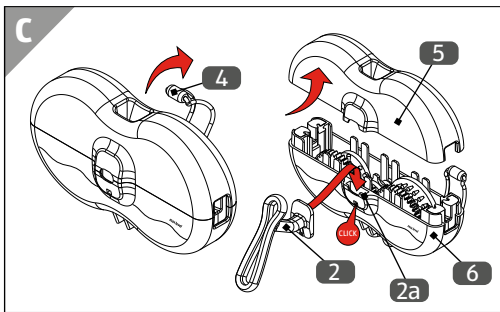
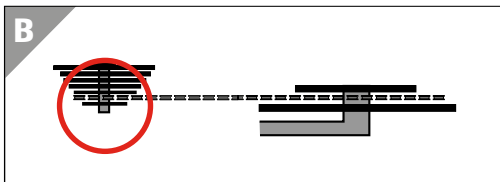
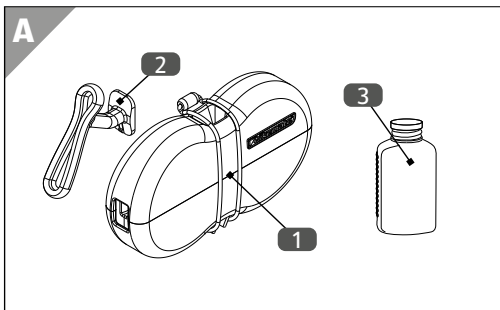


PRODUCED IN CHINA FOR:

ALDI STORES LTD. PO BOX 26, ATHERSTONE
WARWICKSHIRE, CV9 2SH.

ALDI STORES (IRELAND) LTD.
PO BOX 726, NAAS, CO. KILDARE.
Visit us at www.aldi.com

Ident.-Nr.: PO30030722_BICYCLE-CHAIN-CLEANING-SET_28813_160821





GENERAL INFORMATIONS



Reading and storing the user manual

This user manual belongs to the Bicycle chain cleaning set, hereinafter referred to as the product. The user manual contains important information on how to use the product.

Read the user manual, especially the safety instructions, carefully before using the product. Failure to follow these instructions can result in serious injury or damage to the product.

Keep the user manual for further reference. If you pass on the product to a third party, be sure to include this user manual.

SCOPE OF DELIVERY/PARTS (Abb. A)

- 1x Bicycle chain cleaning set **1**
- 1x Handle **3**
- 1x Cleaning fluid **3**
- 1x Operating instructions, without fig.

TECHNICAL SPECIFICATIONS

Article Number: 811971

Batch: P030030122

Model number: 28813

Date of production: 12/2021

Explanation of symbols

The following symbols and signal words are used in these operating instructions, on the product or on the packaging.



WARNING!

This signal symbol/word indicates a hazard with a high level of risk which, if not avoided, may result in death or serious injury.



CAUTION!

This signal symbol/word indicates a hazard with a low level of risk which, if not avoided, may result in minor or moderate injury.

NOTE!

This signal word warns of possible property damage or provides you with useful additional information regarding the use.



This symbol indicates that the product should only be used outdoors.



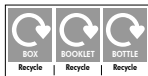
This symbol indicates potential danger to children.



This symbol indicates the age rating of the product.



This symbol indicates warning and safety information.



These symbols inform you about the disposal of the packaging and product.



SAFETY

Intended use



This product is only intended for outdoor use to prevent indoor contamination.

The product is suitable for cleaning the chains of bicycles with derailleur gears. The product is not intended for commercial use. Different use or a modification to the product are not deemed as intended use and may lead to risks, such as injuries and damage. The distributor assumes no liability for damage that results from improper use.

Cleaning Fluid

- non-flammable cleaning fluid for bicycle chains
- use cleaning fluid undiluted in the product
- after cleaning, remove residual liquid from the chain with a paper towel and re-oil it
- **Ingredients information:** Less than 5%: nonionic surfactants, 2-Butoxyethanol, Ethylenediaminetetraacetic acid, Alcohols, C9-11, ethoxylated, Sodium silicate pentahydrate. In

aqueous solution.

Please phone for a Safety Data Sheet (medical personnel only) (UK) 0800 644 6090 (Ire) 1800 844 910.

Further ingredient information is available from www.safetydatasheetsinfo.com.

SAFETY INFORMATION



WARNING!

Risk of injury and suffocation!



If children play with the product or the packaging, they may injure themselves or suffocate!

- Do not let children play with the product or the packaging.
- Supervise children who are close to the product.
- Keep the product and the packaging out of reach of children.



WARNING!

Risk of injury!



Not suitable for children under the age of 8! There is a risk of injury!

- Children from the age of 8, as well as people with impaired physical, sensory or mental capabilities or with a lack of experience and knowledge, must be supervised when using the product and/or be instructed regarding the safe use of the product and understand the resulting dangers.



- Children are not allowed to play with the product.
- Maintenance and/or cleaning of the product is not allowed to be performed by children without supervision.

Observe national regulations!

- Observe the applicable national requirements and regulations for the use and disposal of the product.



CAUTION!

Danger of material damage!

A defective product is not allowed to be used! There is a risk of material damage!

- Do not use the product in the case of malfunctions, damage or defects. If you determine a defect on the product, have the product inspected and repaired, if necessary, before putting it into operation again
- Significant danger can occur for the user in the case of improper repairs.
- A defective product can leak and thus cause environmental pollution.

START-UP

1. Remove all packaging materials.
2. Check whether all parts are available and undamaged.
If this is not the case, notify the specified service address.

NOTE!

To prevent soiling, cover the work area with newspapers or cardboard.

NOTE!

The chain should be oiled to protect it from rust damage. A chain oil is not included in the scope of delivery. You can obtain suitable chain oil from specialist bicycle dealers.

**WARNING!****Use with ebikes/pedelecs**

Make sure that the motor is switched off, and cannot be activated by the crank movement. Remove the display or battery if necessary.

- If available, clamp the bicycle in a mounting stand so that you can easily get to the chain of the bicycle and the tires can rotate freely.
- If no mounting stand is available, ask a second person to hold the rear wheel up so that it can turn freely.
- Before cleaning, remove coarse dirt from the chain and sprockets with a cloth and brush.

Use

1. Position the gears as shown in the illustration see **Fig. B** by shifting into high gear.
2. Fold the bracket **4** backwards, see **Fig. C**.

3. Remove the lid **5** from the lower part **6**, see **Fig. C**.
4. Insert the handle **2** into the holder **2a** until it audibly clicks into place, see **Fig. C**.
5. Push the lower part **6** from below onto the chain so that the chain runs through the cleaning components **7**, see **Fig. D**.
6. Put the lid **5** on the lower part **6** and close the bracket **4**, see **Fig. E**.
7. Fill the chain cleaner through the filling opening, **3** up to max. the marking **8**, on the side facing away from the handle **2** **9**, see **Fig. F**.
8. Turn the crank of the bicycle counter-clockwise at least 15 times evenly and not too fast.
 - Make sure that the bicycle chain cleaning device **1** does not slip out of your hand in the process.

After cleaning the chain

1. Fold the bracket **4** back and open the lid **5**.
2. Carefully pull the lower part **6** from the chain.

NOTE!

When pulling the lower part **6** off the chain, the cleaning components **7** can get caught on the chain.

- Then, remove the cleaning components **7** from the chain.

- You can now carefully clean the cleaning components, **7** the lid **5** and the lower part **6** with warm water and a cleaning agent.
 - Replace the cleaning components **7** back into the lower part **6**.
 - Leave the handle **2** in the holder **2a**.
 - Place the lid **5** back on the bicycle chain cleaner **1**.
 - Fold the bracket **4** back up.
3. Dry the chain immediately with a cloth.
 4. Drip some chain oil (not included in the scope of supply) onto the chain and spread it evenly over the entire chain with a rag.
 - Make sure that no chain oil drips next to it. Place newspapers or a cardboard box under the work area.
 - Repeat the process until the chain is sufficiently oiled in all places.



WARNING!

Any dirt from chain oil or cleaner on the rims or brake discs/linings must be removed immediately, use grease-dissolving agents such as brake cleaner for this.

NOTE!

The expended cleaning fluid **3** should be collected in a separate container and then handed in at a collection point for problem waste.

CLEANING AND CARE INSTRUCTIONS



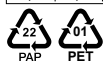
CAUTION!

Danger of material damage!

- only clean with a damp cloth
- only use a mild detergent
- do not use any strong detergents and/or chemicals
- do not use sharp-edged tools such as spatulas or similar, they can damage the surface

DISPOSAL

Disposal of the packaging



The packaging and operating instructions are made of 100 % environmentally friendly materials, which you may dispose of at local recycling centres.

Disposal of the product

The product may not be disposed of with normal household waste. Please contact your local authority or town council for information about disposal options for the product and the chain cleaner used.

